



TopDok™

Communication Lights™

MAXIMIZE DOCK SAFETY!



LED communication lights signal safety on the loading dock!

Tri Lite has long been an industry leader of visual communication signals. Now, we are introducing TopDok, an improved LED communication system that expands Stop & Go coverage to the top of a dock door. TopDok LED corner light units attach above the dock opening, clearing the door header and track by connecting to an adjustable length stand-off pipe.

Made for customers who want to supply their own vehicle restraint controls, the units integrate with professionally installed dock restraints. When the loading vehicle is properly secured, the LEDs change from red to green, indicating to dock personnel that it is safe to enter.

Choose between a set of corner lights that are installed above the dock door header, or a singular linear light that brackets the door opening. Use both for full-coverage door signaling that reduces the risks of accidents.



TopDok shown with Tri Lite's dock and lift-truck warning lights.

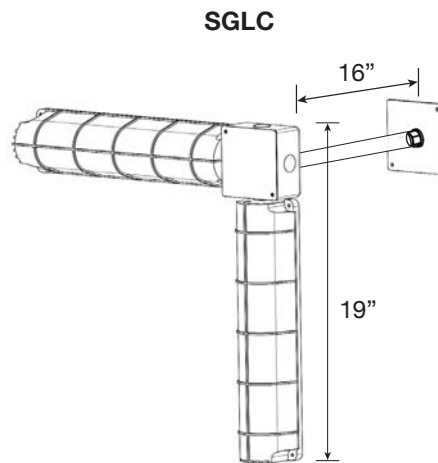
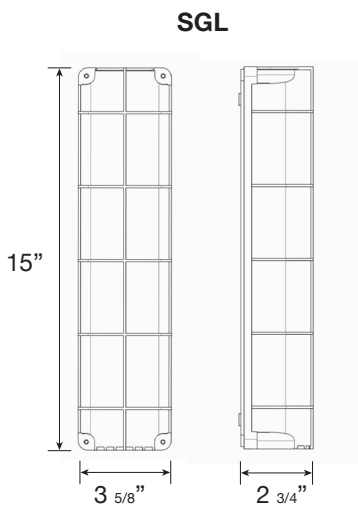


Stop and Go Linear Light

This single red/green unit can be used inside or outside of a loading dock door. When installed outside, it fits easily between close sitting docks. Combine the linear light with TopDock's corner set for full-coverage door signaling. Use with a remote switch to activate red or green signals. Electrical installation consists of two power leads to control color.

- 33 bright red/green LEDs make this our brightest stop and go yet!
- Reduce replacement costs and down time – 5 year limited warranty
- Use for low voltage applications: 12VAC/VDC

Physical Specifications



Key Features

- Reduces blind spot errors.
- Long-life LEDs reduce replacement costs.
- High impact polycarbonate housing.
- Can be seen anywhere in the warehouse.
- Made in the USA.

Technical Specifications

- All units are low voltage 12VAC/VDC
- Linear unit weighs 2 pounds
- Corner set weighs 8 pounds
- Stand-off pipe for corner unit: 16"



TopDok turns from red to green when a loading vehicle is properly restrained.

Linear Stop & Go	
Part#	Voltage
SGL10-12RG-LED	12V/.30A

Stop and Go Corner Light Set	
Part#	Voltage
SGLC-12RG	12V/1.21A