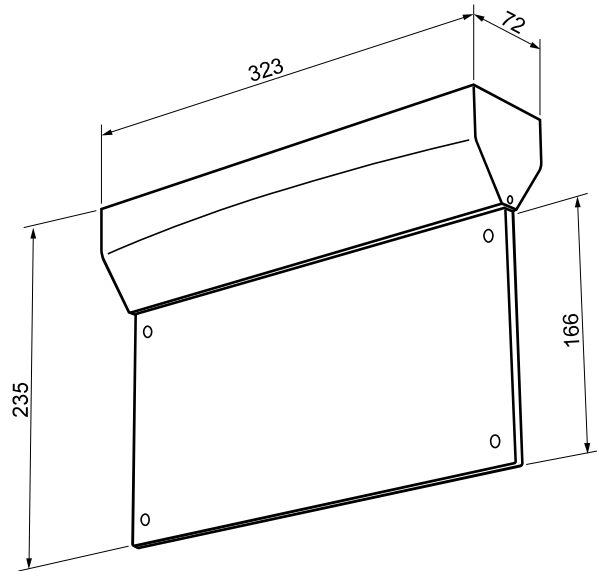


# Part No. WL-100, WL-101, WL-102, WL-103 Medical Warning Illuminated Signs

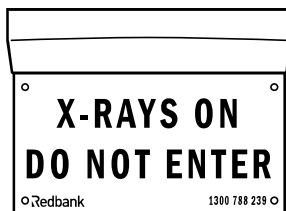


- Mains powered: 240VAC operation
- Complies to AS Standard: AS2293.3
- Wall or ceiling mounted
- Distinct contrast between sign illuminated or off
- Polycarbonate frame
- Acrylic engraved sign

## DIMENSIONS (Millimetres)



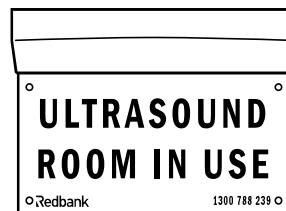
## MODELS AVAILABLE



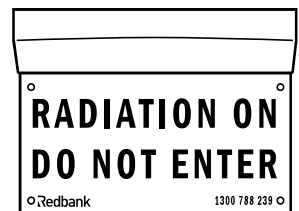
WL100



WL101



WL102



WL103

Data may vary due to component tolerances.  
E & OE