

Part No. ML308-LED

Maggylamp LED Exam Light Data Sheet

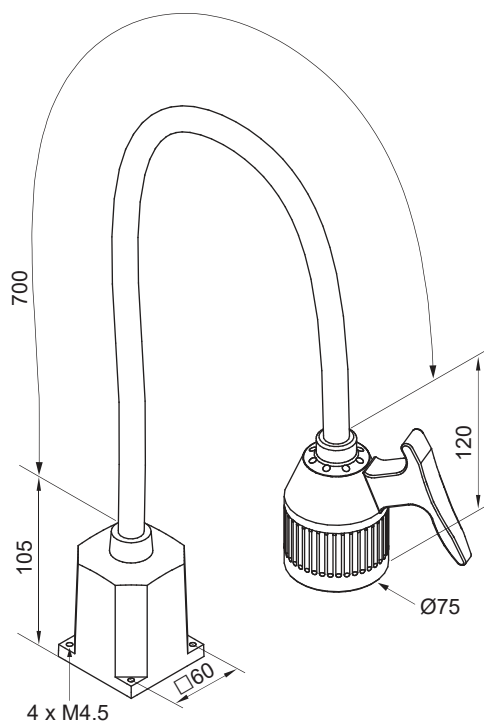


Fitted with	3 x 1.5 watt LED chips
Light output	16,000 lux at 30cm
Colour temp	Cool white, 5500k
Operation	Switch on handle
Operating voltage	100-240VAC, 50Hz
Power Lead	1.8 m, AUS/NZ plug
Beam angle	30°
Power consumption	< 5 watt
Base Housing	Plastic
Lamp Head	Plastic
Gooseneck	Metal with silicone sleeving
Accessory	Bench clamp (ML312) Wall bracket (ML307) Mobile stand (ML131)
Weight net	1.2kg
Weight carton	2kg
Carton dimensions	L43 x W23 x H12 cm

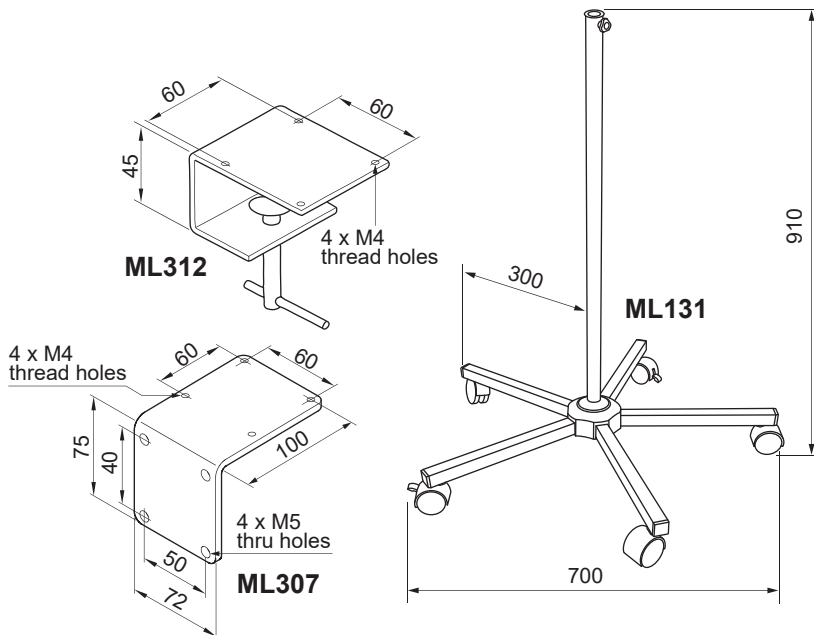


ML 308-LED detailing

DIMENSIONS (Millimetres)



ACCESSORIES



BENCH CLAMP ML312
WALL BRACKET ML307
MOBILE STAND ML131

Data may vary due to component tolerances.
E & OE

PH:1300 788 239
www.redbank.net.au
©07.2017 Redbank Group

MAGGYLAMP[®]
lighting