

Part No. ML395, ML394

LED Gooseneck Docklight Data Sheet

**Fitted with**

ML395 model: LED bulb, PAR 38 (pictured below)
15° beam angle, 15 watt

ML394 model: Suits PAR 38, ES27 LED,
fluorescent, incandescent bulbs (not included)

Arm construction

Stainless steel flexible tubing

Operating voltage

100-240VAC

Power lead

1m, AUS/NZ plug

Weight

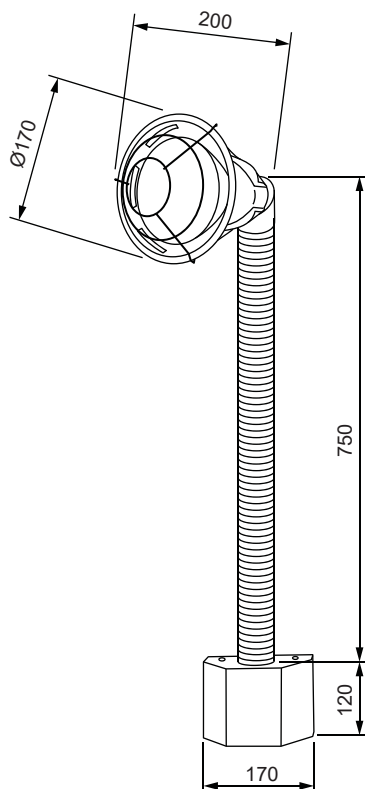
5kg

Mounting

Fix directly to wall



ML 395 - PAR 38 LED bulb

DIMENSIONS (Millimetres)

Data may vary due to component tolerances.
E & OE

PH:1300 788 239
www.redbank.net.au
©07.2017 Redbank Group

