

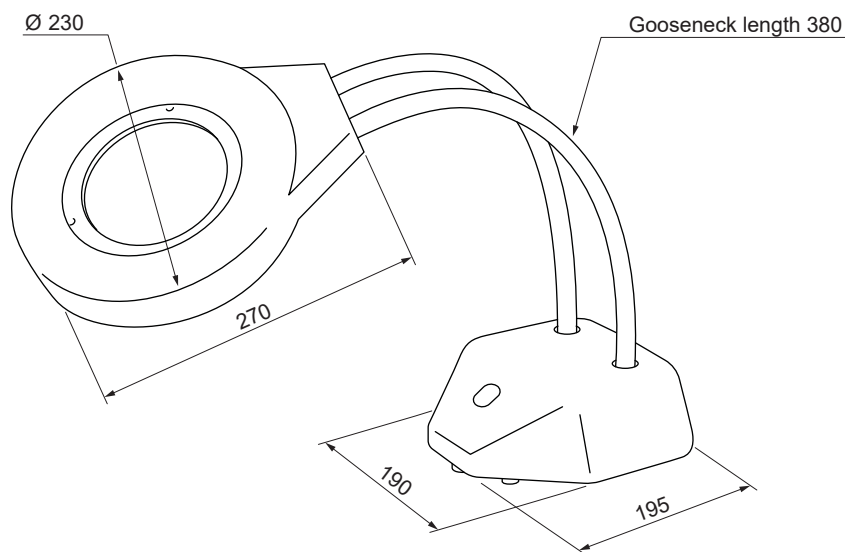
Part No. ML201-LED

Standard LED Maggylamp Data Sheet



Fitted with	10 Watt LED ring light
CRI	>80
Light output	1000 lumen
Colour temperature	6000K
Lens	Biconvex glass, Ø 127 mm
Magnification	2 x, 4 dioptre
Lamp shade	ABS plastic
Arms	chrome flex arms, 380mm long
Base housing	powder coated cast iron
Power lead	2m, AUS/NZ plug
Connected load	240V AC 50/60 Hz
Power consumption	approx. 12 Watt
Weight net	6.5kg
Weight carton	7kg
Package dimensions	L47 x W27 x H34cm

DIMENSIONS (Millimetres)



Data may vary due to component tolerances.
E & OE