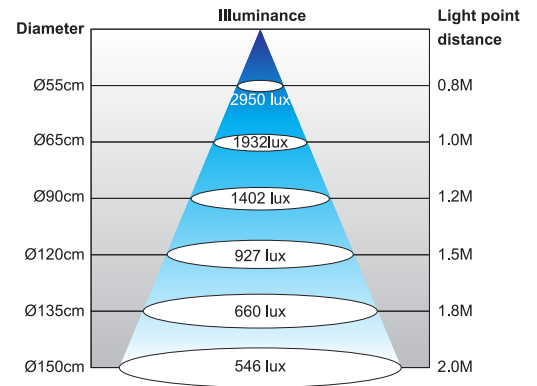


Magglamp LED-6 Machine Light Spec Sheet

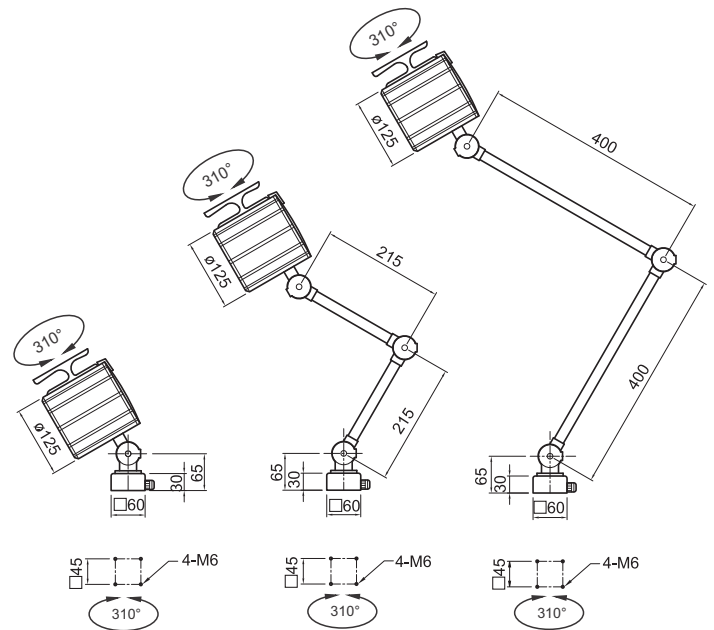
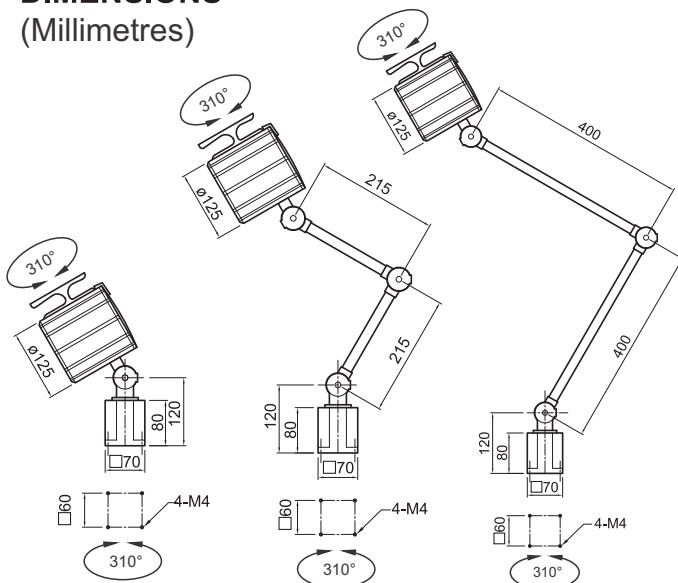


Fitted with	6 x Light-emitting diode
Work equipment	Integrated LED driver
Connected load	100 -240V 50/60Hz(<i>ML330 Series</i>) or 24VAC/DC(<i>ML340 Series</i>)
Power consumption	approx. 12 Watt
Light output	1200 lumen
System of protection	IP 65
Class of protection	II(<i>ML330 Series</i>) III(<i>ML340 Series</i>)
Operation	switch on head
Lamp body	aluminium
Lamp cover	glass screen
Arm section	articulated aluminium tube arms, anodised grey
Base housing	cast aluminium-satin black(240V), steel-grey(24V)
Weight	approx. 1.8-3kg
Power lead	approx. 1.8; mains plug AUS/NZ(<i>ML330 series only</i>)
Fastening	screw down flange, table clamp (accessory), wall bracket (accessory)
Accessory	-
Special features	60° beam angle, 6000K colour temperature

Power LED 2Wx6 60°



DIMENSIONS (Millimetres)



ML330S-LED

ML330M-LED

ML330-LED

ML340S-LED

ML340M-LED

ML340-LED

Data may vary due to component tolerances.
E & OE