

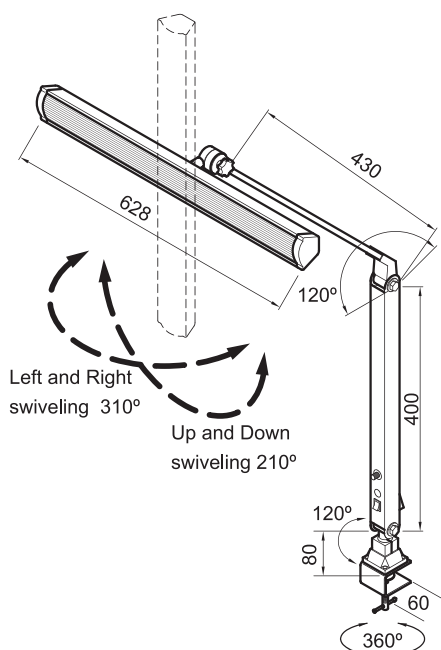
Part No. ML155-LED

Maggylamp LED-30 Bench Lamp Data Sheet

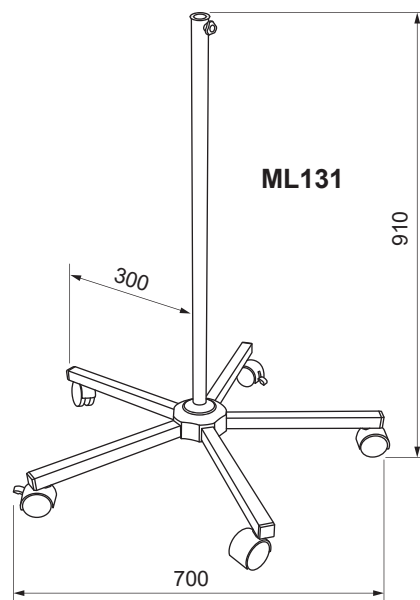
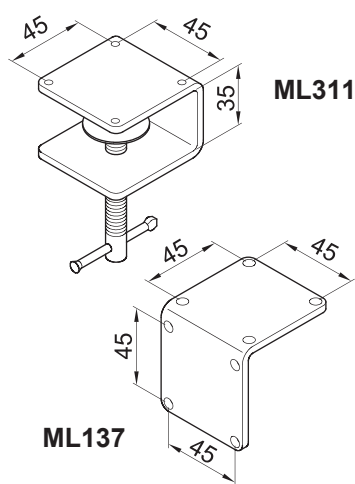


Fitted with	LED
Connected load	240V AC 50/60 Hz
Power consumption	approx. 30 Watt
Light output	2880 lumen
Colour temperature	6000K
System of protection	IP 40
Class of protection	I
Operation	switch on lower arm
Lamp body	aluminium
Lamp diffuser	opaque acrylic
Arm section	articulated aluminium tube arms, anodised grey
Base housing	plastic
Power lead	approx. 1.8m, AUS/NZ plug
Fastening	screw down flange, bench clamp supplied (ML311)
Accessory	Wall Bracket (ML137) Mobile Stand (ML131)
Weight net	2.5kg
Weight carton	3kg
Package dimensions	L71 x W31 x H11cm

DIMENSIONS (Millimetres)



ACCESSORIES



BENCH CLAMP (SUPPLIED) **ML311**
 WALL BRACKET **ML137**
 MOBILE STAND **ML131**

Data may vary due to component tolerances.
 E & OE

PH:1300 788 239
www.redbank.net.au
 ©07.2017 Redbank Group

MAGGYLAMP[®]
 lighting