
VISIANO 10-1
THE EXAMINATION LIGHT



VISIANO 10-1

OVERVIEW OF THE MAIN FEATURES.



Timeless, slimline design
with ergonomic handle



Optimized cable connection extends
the swivel range



Diamond cluster optics for bright
homogeneous light



The VISIANO 10-1 is an LED examination light which has been reduced to the essentials but that doesn't mean sacrificing professional light quality. For everyday use, the VISIANO 10-1 will win you over with its excellent illumination intensity and large light field. The sturdy flexible arm ensures positional accuracy and good durability. The sealed construction protects against contamination.

- Professional light quality: thanks to unique diamond optics and premium LEDs, homogeneous light field and high illumination intensity, low-shadow, first-class color rendering (CRI >93)
- Durable, safe and economical: low energy consumption, integrated converter, maintenance free casing, high quality aluminum linkage and durable friction-joints
- Reach suitable for everyday purposes: 280° rotation of the luminaire head, long arm reach
- Certified safety: Medical device according to IEC 60601-1, unique in this class

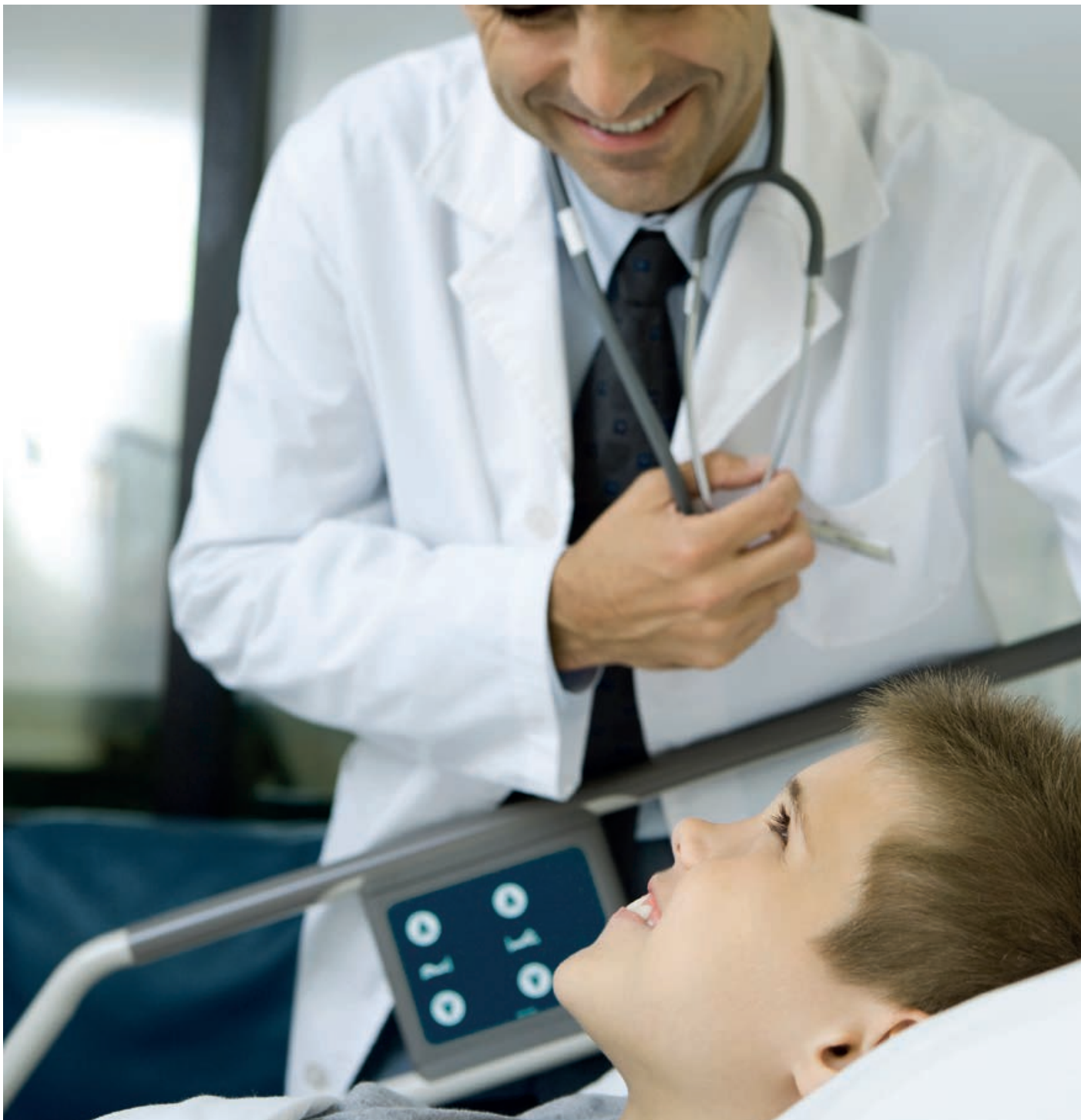


Ø 180 mm
approx. 50,000 lx / 0.5 m

Illumination area

DEFINES THE STANDARD:
BEST LIGHTING.

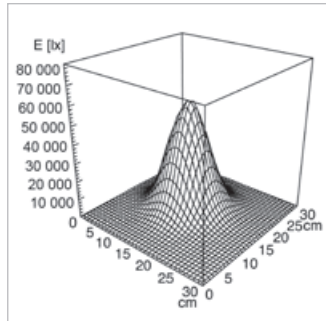
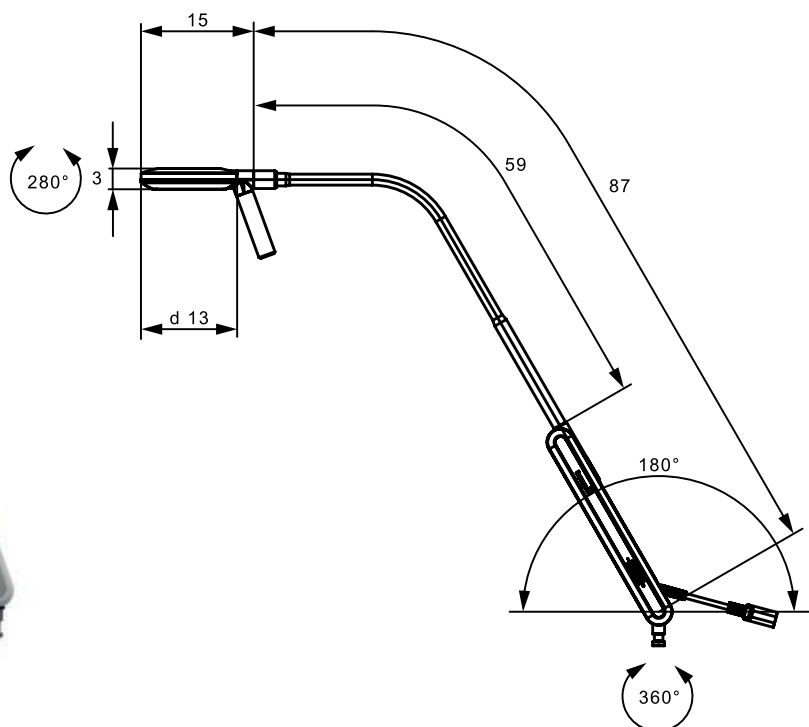




Thanks to the 16 mm pin, the VISIANO 10-1 can be used universally in doctors' surgeries and in the clinical sector. Using the wide range of accessories it can be mounted on a roller stand, on the wall or on a rail. The ergonomic handle and intuitive I/O switch ensure easy handling. The VISIANO 10-1 scores highly in terms of hygiene too, with a smooth surface for easy cleaning.



VISIANO 10-1



VISIANO 10-1

ORDER NO.

VISIANO 10-1 P S10

D15.732.000 - pure white

VISIANO 10-1 compact

- intuitive and ergonomic
- homogeneous, monochrome light field (\varnothing 180 mm, ca. 50,000 lx / 0.5 m)
- universal mounting options
- rotatable luminaire head
- integrated converter
- sealed casing

VISIANO 10-1 technical

Illumination intensity	approx. 50,000 lx / 0.5 m *
Color temperature	4,400 K *
Illumination field 0.5 m	180 mm *
Light color	approx. 4,400 K
Color rendering	CRI > 93
Operation	I/O switch on the arm
Standards	IEC 60601-1

Features

- ergonomic handle
- Luminaire head can be turned 280°

* -10% / +20% tolerance

ACCESSORIES



ROLLER STAND

Material	Steel
Composition	– Tubing: white – Foot: plastic – Casters: plastic double casters, with 5 brakes
Dimensions	1 m, Ø 700 mm
Weight (net)	7.5 kg
for stud Ø	16 mm-W with removal protection with cable suspension device
ORDER NO.	D15.595.000



RAIL MOUNTING

Material	Aluminum
Composition	natural anodized
Wall rail system	25-35 x 8-10 mm
Weight (net)	0.16 kg
for stud Ø	16 mm-W with removal protection
ORDER NO.	D13.269.000



WALL BRACKET

Material	Polyamide GF
Weight (net)	0.14 kg
for stud Ø	16 mm-W with removal protection with cable hole
ORDER NO.	D13.231.000 - pure white

GERMANY HEAD OFFICE

Herbert Waldmann GmbH & Co. KG
 Postfach 50 62
 78057 VILLINGEN-SCHWENNINGEN
 GERMANY
 Phone +49 7720 601 -0
 Phone +49 7720 601 -100 (sales)
 Fax +49 7720 601-290
 www.waldmann.com
 sales.germany@waldmann.com

FRANCE

Waldmann Eclairage S.A.S.
 Zone Industrielle
 Rue de l'Embranchement
 67116 REICHSTETT
 FRANCE
 Phone +33 3 88 20 95 88
 Fax +33 3 88 20 95 68
 www.waldmann.com
 info-fr@waldmann.com

ITALY

Waldmann Illuminotecnica S.r.l.
 Via della Pace, 18 A
 20098 SAN GIULIANO MILANESE (MI)
 ITALY
 Phone +39 02 98 24 90 24
 Fax +39 02 98 24 63 78
 www.waldmann.com
 info-it@waldmann.com

NETHERLANDS

Waldmann BV
 Lingewei 19
 4004 LK TIEL
 NETHERLANDS
 Phone +31 344 631019
 Fax +31 344 627856
 www.waldmann.com
 info-nl@waldmann.com

AUSTRIA

Waldmann Lichttechnik Ges.m.b.H.
 Gewerbebark Wagram 7
 4061 PASCHING/LINZ
 AUSTRIA
 Phone +43 7229 67400
 Fax +43 7229 67444
 www.waldmann.com
 info-at@waldmann.com

SWEDEN

Waldmann Ljusteknik AB
 Skebokvarnsvägen 370
 124 50 BANDHAGEN
 SWEDEN
 Phone +46 8 990 350
 Fax +46 8 991 609
 www.waldmann.com
 info-se@waldmann.com

SWITZERLAND

Waldmann Lichttechnik GmbH
 Benkenstrasse 57
 5024 KÜTTIGEN
 SWITZERLAND
 Phone +41 62 839 1212
 Fax +41 62 839 1299
 www.waldmann.com
 info-ch@waldmann.com

GREAT BRITAIN

Waldmann Lighting Ltd.
 10 Millfield House
 Croxley Green Business Park
 WATFORD WD18 8YX
 GREAT BRITAIN
 Phone +44 1923 800030
 Fax +44 1923 800016
 www.waldmann.com
 info-uk@waldmann.com

USA

Waldmann Lighting Company
 9 W. Century Drive
 WHEELING, ILLINOIS 60090
 USA
 Phone +1 847 520 1060
 Fax +1 847 520 1730
 www.waldmannlighting.com
 waldmann@waldmannlighting.com

CHINA

Waldmann Lighting (Shanghai) Co., Ltd.
 Part A11a, No. Five Normative Workshop
 199 Changjian Road, Baoshan
 SHANGHAI, P.R.C. 200949
 CHINA
 Phone +86 21 5169 1799
 Fax +86 21 3385 0032
 www.waldmann.com
 info-cn@waldmann.com

SINGAPORE

Waldmann Lighting Singapore Pte. Ltd.
 77A NEIL ROAD
 SINGAPORE 088903
 SINGAPORE
 Phone +65 6275 8300
 Fax +65 6275 8377
 www.waldmann.com
 sales-sg@waldmann.com

INDIA

Waldmann Lighting Pvt. Ltd.
 Plot No. 52
 Udyog Vihar
 Phase-VI, Sector-37
 GURGAON-122001, Haryana
 INDIA
 Phone +91 124 412 1600
 Fax +91 124 412 1611
 www.waldmann.com
 sales-in@waldmann.com

Center of Expertise for Care & Health:

DERUNGS LICHT AG

Hofmattstrasse 1
 9200 Gossau
 Switzerland
 Phone +41 71 388 11 66
 Fax +41 71 388 11 77
 www.derungslicht.com
 mailbox@derungslicht.com

Derungs Licht AG is a member of the
 Waldmann Group.

