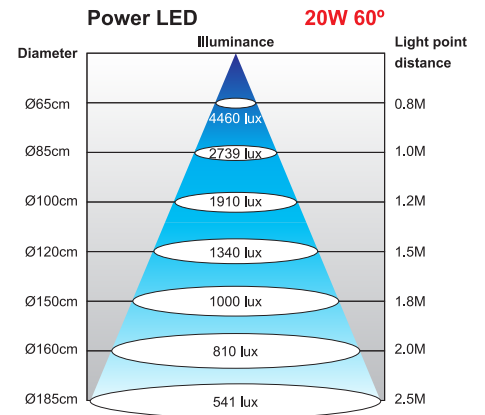


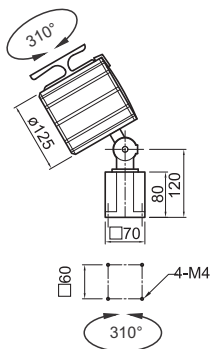
Magglamp LED-20 Machine Light Spec Sheet



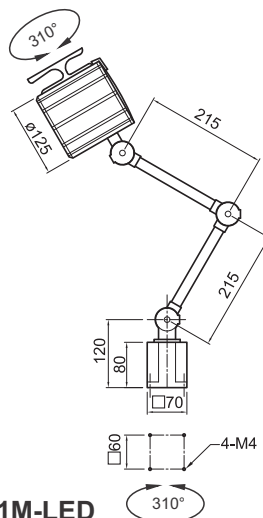
Fitted with	1 x Light-emitting diode
Work equipment	Integrated LED driver
Connected load	100 -240V 50/60Hz (ML331 Series) or 24VAC/DC (ML341 Series)
Power consumption	approx. 20 W
Light output	2000 lumen
System of protection	IP 65
Class of protection	II
Operation	switch on head
Lamp body	aluminium
Lamp cover	glass screen
Arm section	articulated aluminium tube arms, anodised grey
Base housing	cast aluminium, satin black
Weight	approx. 2-3kg
Power lead	approx. 1.8; mains plug AUS/NZ (ML331 series only)
Fastening	screw down flange, table clamp (accessory), wall bracket (accessory)
Accessory	-
Special features	60° beam angle, 6000K colour temperature



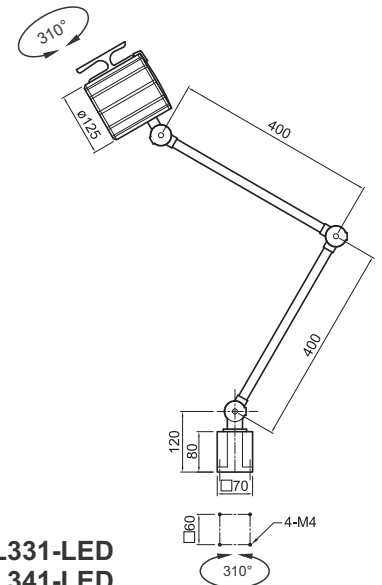
DIMENSIONS (Millimetres)



**ML331S-LED
ML341S-LED**



**ML331M-LED
ML341M-LED**



**ML331-LED
ML341-LED**

Data may vary due to component tolerances.
E & OE