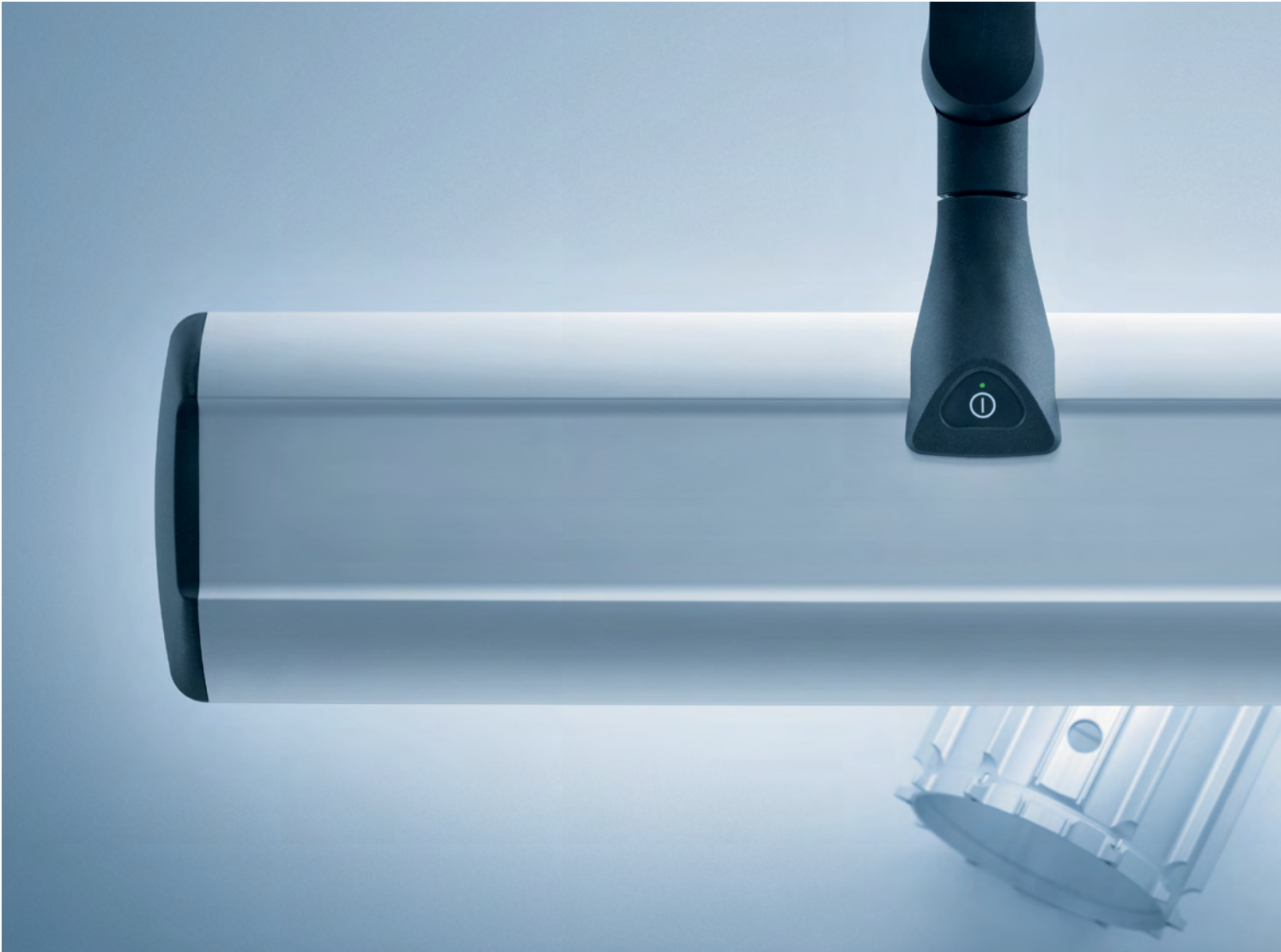


ENG

TANEO | ARM-MOUNTED AND SYSTEM LUMINAIRES

•••
•••
•••
LED





TANEO AN ALL-ROUND TALENT FOR WORKING WITH OPTIMUM LIGHT.



An uncompromising lighting solution is essential wherever your eyes are put to the test. Whether in manufacture, assembly, quality assurance or analysis, whether in labs, or the electronic, metal or watch industries: TANEO is a truly universal talent.

With luminous power to suit the particular application, high lighting quality and ergonomic handling, it provides optimum working conditions and is incomparable when it comes to adjusting to individual and task-related requirements.

- Maintenance-free LED technology with a service life of up to 50,000 hours and more
- Requirements-oriented output levels for up to 3,600 lx
- 30 % energy saving
- Continuously dimmable down to 10 %, with memory function
- Light Forming and Ray Mixing Technology for area light, free from shadows and reflective glare
- Glare-free thanks to Conical Prismatic Screen (CDP) or white opal screen
- Flicker-free light with no IR or UV content
- Good contrast sensitivity and very good color recognition thanks to premium LEDs
- Uniquely flexible and balanced arm with an enormous radius of action or intelligent connections for space-saving under-cabinet assembly
- Closed construction for protection of the user and the integrated technology
- Robust aluminum and fiber glass-reinforced high-performance plastic
- Premium workmanship in accordance with Waldmann's quality standards



1 CDP screen: maximum luminous power.

2 White opal screens: maximum homogeneity.

3 Three sizes: Requirement-oriented output levels.



Efficient and requirements-oriented output levels

With three available output levels, the Taneo can properly fulfill every illuminance requirement. The advantage: Both in the procurement and in the operation, the costs are based on what is really needed.

But no matter what the illuminance, the Taneo is always particularly energy-efficient. It consumes 30 % less energy in comparison to conventional task luminaires with the same luminous power. Specifically, this means: With an illuminance of 1,400 lx, the consumption is just 15 W; for a powerful 2,600 lx or 3,600 lx, it is just 31 W or 47 W, including power supply.

LED-based lighting technology with high lighting quality

Taneo provides wide-range, homogeneous, glare-free and shadow-free lighting. This is thanks to innovative technologies such as Light Forming and Ray Mixing. The CDP or white opal screen also contribute to completely glare-free lighting. At the same time, the Taneo light is completely glare-free and particularly powerful. All this considerably relieves eye strain.

Additional positive characteristics of Taneo improve the results at the workplace. For example, the color temperatures used (4,000 or 5,000 K) make contrasts highly visible. In addition, the high color reproduction index of approx. 85 (variant with CDP screen) or 90 (variant with white opal screen) generates an extremely good presentation of colors. And because the light quantity is dimmable down to 10 %, the Taneo very easily adjusts itself to individual needs.

TANEO ARM-MOUNTED LUMINAIRE VARIABLE AND CONVENIENT.



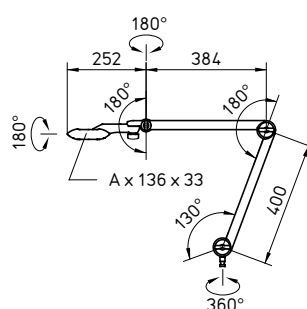
The uniquely flexible and balanced arm of TANEO can be effortlessly adjusted to any position. This is held without taking any further action, but can be locked if required.

The arm also has a particularly large radius of action. And the luminaire head can also be varied in any way thanks to the highly flexible 3D head joint.

TECHNICAL DATA



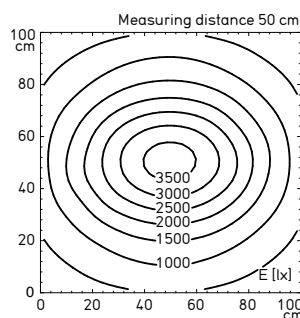
efficient^{light}



Dimension A: 15 W = 218 mm, 31 W = 398 mm, 47 W = 577 mm

Features at a glance

- 12, 24 or 36 x LED
- Power consumption 15, 31 or 47 W
- Color temperature neutral white 4,000 K or 5,000 K
- Glare-free thanks to Conical Prismatic Screen (CDP) or white opal screen
- Housing made of colorless anodized aluminum and black plastic, screen made of PMMA (CDP) or PC (white opal screen)
- Spring-balanced arm with 3D head joint
- Membrane switch integrated in the luminaire head for on/off and dimming
- System of protection IP20, class of protection III (luminaire) and II (power supply)
- Wall power supply (15 W) or table power supply (31 and 47 W), 100 – 240 V, 50/60 Hz, 3 m mains lead
- Various fastenings as accessories (see catalog)



Illuminance based on the example of 47 W with CDP screen

CONSUMPTION	SCREEN	COLOR TEMPERATURE	E_m/E_{max}^*	MODEL	ORDER NUMBER
15 W	Conical prisms	4000 K	479/1394 lx ¹	STZL 12 R	112 576 000 - 005 441 67
15 W	Conical prisms	5000 K	479/1394 lx ¹	STZL 12 R	112 576 000 - 005 397 57
15 W	White opal	4000 K	366/836 lx ¹	STZL 12 R	112 576 000 - 005 595 52
15 W	White opal	5000 K	366/836 lx ¹	STZL 12 R	112 576 000 - 005 595 71
31 W	Conical prisms	4000 K	958/2603 lx ¹	STZL 24 R	112 577 000 - 005 441 79
31 W	Conical prisms	5000 K	958/2603 lx ¹	STZL 24 R	112 577 000 - 005 397 74
31 W	White opal	4000 K	702/1514 lx ¹	STZL 24 R	112 577 000 - 005 595 74
31 W	White opal	5000 K	702/1514 lx ¹	STZL 24 R	112 577 000 - 005 595 77
47 W	Conical prisms	4000 K	1425/3596 lx ¹	STZL 36 R	112 578 000 - 005 441 82
47 W	Conical prisms	5000 K	1425/3596 lx ¹	STZL 36 R	112 578 000 - 005 397 77
47 W	White opal	4000 K	1016/2114 lx ¹	STZL 36 R	112 578 000 - 005 595 80
47 W	White opal	5000 K	1016/2114 lx ¹	STZL 36 R	112 578 000 - 005 595 83

* E_m = medium illuminance; E_{max} = maximum illuminance; ¹ Measuring range 100 cm x 100 cm/Measuring distance 50 cm

TANEO SYSTEM LUMINAIRE SPACE-SAVING AND VERSATILE.



The TANEO system luminaire offers particularly space-saving and unobtrusive assembly options, e.g. under shelves.

You can choose between a design that is attached on both sides or a fold-out design. The latter is ideally used as a pair of luminaires.



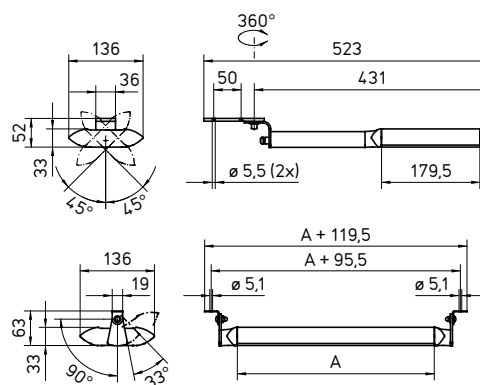
Its practical arm enables it to be horizontally swiveled. This innovative connection enables e.g. a lateral illumination and thus shadow-free working in any task position.

The luminaire head can be rotated in both variants.

TECHNICAL DATA



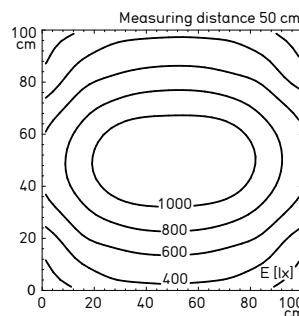
efficient *light*



Dimension A: 31 W = 359.5 mm, 47 W = 538.5 mm

Features at a glance

- 12, 24 or 36 x LED
- Power consumption 15 W (swivel arm), 31 or 47 W (fixed connection)
- Color temperature neutral white 4,000 K or 5,000 K
- Glare-free thanks to Conical Prismatic Screen (CDP) or white opal screen
- Housing made of colorless anodized aluminum and black plastic, screen made of PMMA (CDP) or PC (white opal screen)
- Swivel arm (15 W) or fixed connection (31 or 47 W), with head joint that can be rotated
- Membrane switch integrated in the luminaire head for on/off and dimming
- System of protection IP20, class of protection III (luminaire) and II (power supply)
- Wall power supply (15 W) or table power supply (31 and 47 W), 100 – 240 V, 50/60 Hz, 4 m mains lead



Illuminance based on the example of two 15 W luminaires with CDP screen that are swiveled at an angle of 90° (Distance between the two luminaire heads approx. 90 cm)

CONSUMPTION	CONNECTION	SCREEN	COLOR TEMPERATURE	E_m / E_{max}^*	MODEL	ORDER NUMBER
15 W	Swivel arm	Conical prisms	4000 K	479/1394 lx ¹	SARKL 12 R	112 991 000 - 005 525 84
15 W	Swivel arm	Conical prisms	5000 K	479/1394 lx ¹	SARKL 12 R	112 991 000 - 005 592 47
15 W	Swivel arm	White opal	4000 K	366/836 lx ¹	SARKL 12 R	112 991 000 - 005 592 50
15 W	Swivel arm	White opal	5000 K	366/836 lx ¹	SARKL 12 R	112 991 000 - 005 592 53
31 W	Fixed connection	Conical prisms	4000 K	958/2603 lx ¹	SARL 24 R	112 992 000 - 005 525 87
31 W	Fixed connection	Conical prisms	5000 K	958/2603 lx ¹	SARL 24 R	112 992 000 - 005 593 08
31 W	Fixed connection	White opal	4000 K	702/1514 lx ¹	SARL 24 R	112 992 000 - 005 593 11
31 W	Fixed connection	White opal	5000 K	702/1514 lx ¹	SARL 24 R	112 992 000 - 005 593 15
47 W	Fixed connection	Conical prisms	4000 K	1425/3596 lx ¹	SARL 36 R	112 993 000 - 005 525 93
47 W	Fixed connection	Conical prisms	5000 K	1425/3596 lx ¹	SARL 36 R	112 993 000 - 005 593 18
47 W	Fixed connection	White opal	4000 K	1016/2114 lx ¹	SARL 36 R	112 993 000 - 005 593 21
47 W	Fixed connection	White opal	5000 K	1016/2114 lx ¹	SARL 36 R	112 993 000 - 005 594 45

* E_m = medium illuminance; E_{max} = maximum illuminance; ¹ Measuring range 100 cm x 100 cm / Measuring distance 50 cm;

HEADQUARTERS GERMANY

Herbert Waldmann GmbH & Co. KG
Postfach 50 62
78057 VILLINGEN-SCHWENNINGEN
GERMANY
Telephone +49 7720 601-0
Telephone +49 7720 601-100 (Sales)
Fax +49 7720 601-290
www.waldmann.com
sales.germany@waldmann.com

FRANCE

Waldmann Eclairage S.A.S.
Zone Industrielle
Rue de l'Embranchement
67116 REICHSTETT
FRANCE
Telephone +33 3 88 20 95 88
Fax +33 3 88 20 95 68
www.waldmann.com
info-fr@waldmann.com

ITALY

Waldmann Illuminotecnica S.r.l.
Via della Pace, 18 A
20098 SAN GIULIANO MILANESE (MI)
ITALY
Telephone +39 02 98 24 90 24
Fax +39 02 98 24 63 78
www.waldmann.com
info-it@waldmann.com

THE NETHERLANDS

Waldmann B.V.
Lingewei 19
4004 LK TIEL
THE NETHERLANDS
Telephone +31 344 631019
Fax +31 344 627856
www.waldmann.com
info-nl@waldmann.com

AUSTRIA

Waldmann Lichttechnik Ges.m.b.H.
Gewerbepark Wagram 7
4061 PASCHING/LINZ
AUSTRIA
Telephone +43 7229 67400
Fax +43 7229 67444
www.waldmann.com
info-at@waldmann.com

SWEDEN

Waldmann Ljusteknik AB
Skebokvarnsvägen 370
124 50 BANDHAGEN
SWEDEN
Telephone +46 8 990 350
Fax +46 8 991 609
www.waldmann.com
info-se@waldmann.com

SWITZERLAND

Waldmann Lichttechnik GmbH
Benkenstrasse 57
5024 KÜTTIGEN
SWITZERLAND
Telephone +41 62 839 1212
Fax +41 62 839 1299
www.waldmann.com
info-ch@waldmann.com

UNITED KINGDOM

Waldmann Lighting Ltd.
7 Millfield House
Croxley Green Business Park
WATFORD WD18 8YX
UNITED KINGDOM
Telephone +44 1923 800030
Fax +44 1923 800016
www.waldmann.com
info-uk@waldmann.com

USA

Waldmann Lighting Company
9, W. Century Drive
WHEELING, ILLINOIS 60090
USA
Telephone +1 847 520 1060
Fax +1 847 520 1730
www.waldmannlighting.com
waldmann@waldmannlighting.com

CHINA

Waldmann Lighting (Shanghai) Co., Ltd.
Part A11a, No. Five Normative Workshop
199 Changjian Road, Baoshan
SHANGHAI, P.R.C. 200949
CHINA
Telephone +86 21 5169 1799
Fax +86 21 3385 0032
www.waldmann.com
info@waldmann.com.cn

SINGAPORE

Waldmann Lighting Singapore Pte. Ltd.
22 Cross Street, #02-50/51
South Bridge Court
SINGAPORE 048421
SINGAPORE
Telephone +65 6275 8300
Fax +65 6275 8377
www.waldmann.com
sales-sg@waldmann.com

INDIA

Waldmann Lighting Pvt. Ltd.
Plot No. 52
Udyog Vihar
Phase-VI, Sector-37
GURGAON-122001, Haryana
INDIA
Telephone +91 124 412 1600
Fax +91 124 412 1611
www.waldmann.com
sales-in@waldmann.com